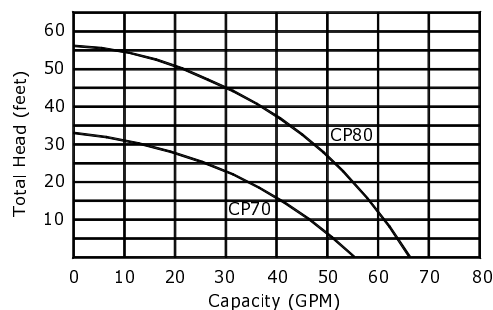
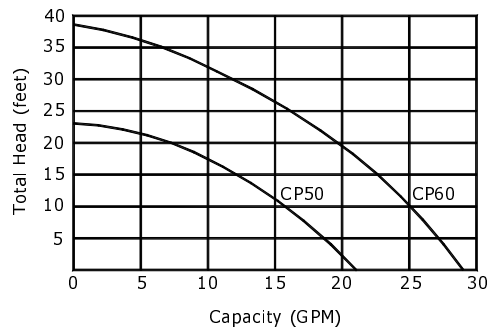
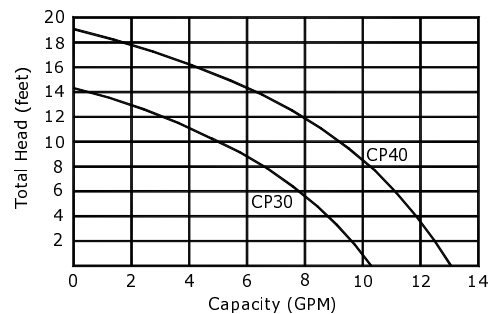
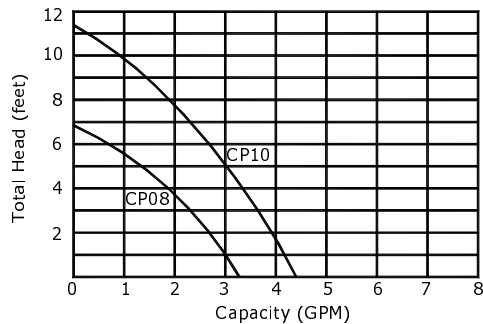
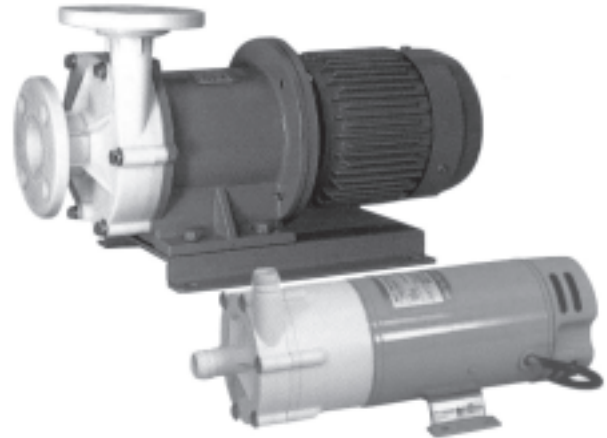


## Features:

- **Sealless.**
- **Free from Corrosion.**
- **Compact, Close Coupled Design.**
- **Heads to 57 feet.**
- **Flows to 66 GPM.**



The NIKKISO MAGFLO™ is a centrifugal pump, which utilizes a permanent magnet coupling with anti-corrosive materials. Because of its sealless design, it is well suited for circulating and transferring hazardous liquids including corrosives, radioactive, carcinogenic and toxic fluids.

### Applications

- Circulation, agitation and transfer of aggressive chemicals.
- Ion analyzer, gas analyzer, constant temperature bath.
- Plating, filtering and dyeing equipment.
- Water & waste treatment.
- Laboratory and pilot plants.
- Solar heating systems.
- Ice making machines, unit coolers and other food industry equipment.
- Photographic developing machines and x-ray film processors.

### Construction Material

Parts Name	Standard Material	Option
Casing	PP	PVDF
Impeller	PP	PVDF
Shaft	AL203 ceramics	SIC
Bearing **	Rulon	--
O-ring	FKM	EPDM
Magnet	AlNiCo	--

\*\* no bearing for the CP08 model.

MODEL	A	B	C	D	E	F	G	H	J	L	M	N	P
CP08	1-1/16	2-13/16	1-3/4	9/16	2-3/8	2-15/16	11/16	3-9/16	1/16	4-7/16	1-3/16	0	1/4
CP10	1-3/8	4-5/8	2-3/16	9/16	2-3/4	3-3/8	15/16	4-1/2	1/16	8-1/8	2	1-3/16	1/4
CP30	1-9/16	6-1/4	2-3/16	11/16	2-3/4	3-3/8	1-1/8	4-3/4	1/16	10-5/8	2	1-3/16	1/4
CP40	1-3/4	6-1/4	2-3/8	13/16	3-15/16	4-3/4	1-5/16	5-1/8	1/8	10-5/8	2-1/4	1-9/16	3/8
CP50/60	3-11/16	5-5/16	3-15/16	1	4-3/4	5-15/16	1 15/16	8-15/16	1/8	16-1/16	5-15/16	4-5/8	1
CP70	3	5-1/16	5-3/16	0	8-1/4	9-7/16	2-7/8	10-5/8	3/16	19-1/8	11-13/16	10-1/4	1/2
CP80	3	5-1/16	5-3/16	0	8-1/4	9-7/16	2-7/8	10-5/8	3/16	19-9/16	11-13/16	10-1/4	1/2

