

Features:

- Design Capacities of 0.55 to 123.6 GPH
- Discharge Pressures to 5,000 PSIG
- Metering Accuracy of $\pm 1\%$
- 10:1 Turndown via Stroke Length
- Internal Hydraulic Relief Valve
- Modular Design With Multiple Options
- Specifically Matched Accessories

Performance Table												
Capacity (GPH)	Pressure (PSIG)	Speed (SPM)	Plunger Diameter	Connection (MNPT)								
0.55 1.10 1.85 2.25 2.70 3.30	5,000	29 58 97 117 140 170	3/8"	1/4"								
1.25 2.50 4.20 5.10 6.10 7.40		29 58 97 117 140 170			9/16"	3/8"						
2.25 4.50 7.50 9.05 10.9 13.2		29 58 97 117 140 170					3/4"	3/8"				
3.05 6.10 10.2 12.3 14.8 17.9		29 58 97 117 140 170							7/8"	3/8"		
5.05 10.1 16.9 20.4 24.4 29.6		29 58 97 117 140 170									1-1/8"	3/8"
10.5 21.0 35.3 42.5 50.9 61.8		29 58 97 117 140 170										

Simplex capacities shown.
Double capacity for duplex pumps.



The NIKKISO Hydroflo® Series 1000 is a rugged, compact, hydraulically actuated diaphragm metering pump. The pump is available in simplex or duplex configuration, with independent capacity adjustment for each pumphead.

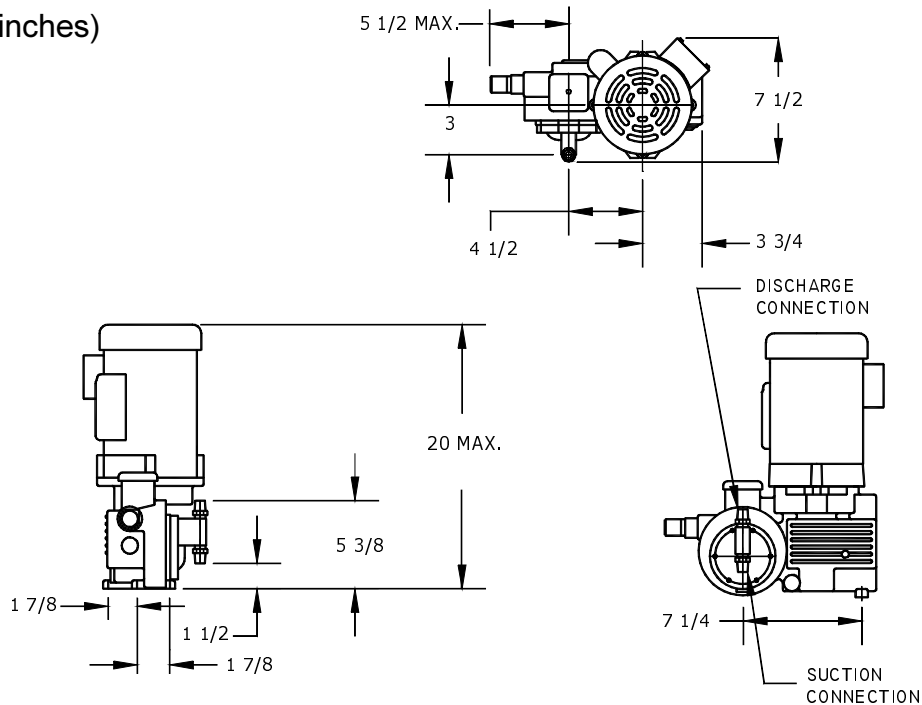
All drive parts are fully enclosed and operate in an oil bath which minimizes friction and wear while providing protection from harsh environments. A self-compensating hydraulic system assures diaphragm position and eliminates the need for troublesome vacuum breakers and refill valve.

The easy to read micrometer knob enables convenient capacity adjustment between 0-100% while the pump is operating or stopped. In addition to manual control, the pump can be supplied with optional automatic capacity control, making it possible for the pump to control the flow rate in proportion to various process signals. A simple, externally adjustable, internal hydraulic relief valve protects the pump and the process from pump induced overpressure situations.

Custom Features	Accessories
Alternate Diaphragm Materials	NIKKISO HydroChek™ Calibration Columns
Automatic Capacity Control	NIKKISO HydroDamp® Pulsation Dampeners
Degassing Liquid End	NIKKISO HydroDrive™ VSD's & Motor Controls
Double Diaphragm Liquid Ends	NIKKISO HydroGarD™ Back PressureValves
Diaphragm Status Indication	NIKKISO HydroGarD™ Safety Relief Valves
Liquid End Jacketing	NIKKISO HydroInjex™ Injection Assemblies
Low NPSHa Liquid Ends	NIKKISOHydroMix™ Agitators
Tubular Diaphragm Liquid Ends	NIKKISO HydroTank® Liquid Handling Package

Component	Materials of Construction				
Pumphead	316 SS	Alloy 20	Hastelloy® C	PVC	Acrylic
Check Valve Body	316 SS	Alloy 20	Hastelloy® C	PVC	Acrylic
Check Valve Seat	316 SS	Alloy 20	Hastelloy® C	PVC	PVC
Check Valve Element	316 SS	Alloy 20	Hastelloy® C	Ceramic	Ceramic
Diaphragm	PTFE	PTFE	PTFE	PTFE	PTFE
Contour Plate	PVDF	PVDF	PVDF	PVDF	PVDF
O-Rings	FKM	FKM	FKM	FKM	FKM
Oil Reservoir Cap	304 SS	304 SS	304 SS	304 SS	304 SS
Stroke Control Knob	304 SS	304 SS	304 SS	304 SS	304 SS

Dimensions: (inches)



NIKKISO
Pumps America, Inc.

NIKKISO Pumps America, Inc.
6100 Easton Road • Plumsteadville, PA 18949
Phone (215) 766-7867 • Fax (215) 766-8290
email: sales@nikkisopumpsamerica.com
<http://www.nikkisopumpsamerica.com>

© 2002 NPA

Printed in U.S.A. 05/02