

Features:

- Design Capacities of 15.9 to 964 GPH
- Discharge Pressures to 675 PSIG
- Metering Accuracy of $\pm 1\%$
- 10:1 Turndown via Stroke Length
- Internal Hydraulic Relief Valve
- Modular Design With Multiple Options
- Specifically Matched Accessories



Performance Table				
Capacity (GPH)	Pressure (PSIG)	Speed (SPM)	Plunger Diameter	Connection (MNPT)
15.9	675	29	1"	1/2"
31.9		58		
48.4		88		
64.4		117		
77.1		140		
25.0	405	29	1-1/4"	1/2"
50.0		58		
75.7		88		
100		117		
120		140		
35.9	265	29	1-1/2"	1/2"
71.8		58		
109		88		
145		117		
173		140		
48.9	180	29	1-3/4"	1/2"
97.8		58		1-1/2"
148		88		
197		117		
236		140		
63.9	130	29	2"	1/2"
128		58		1-1/2"
194		88		
258		117		
308		140		
80.8	95	29	2-1/4"	1/2"
161		58		1-1/2"
245		88		
326		117		
390		140		
100	75	29	2-1/2"	2"
200		58		
300		88		
400		117		
482		140		

Simplex capacities shown.
Double capacity for duplex pumps.

The NIKKISO Hydroflo® Series 3000 is a rugged, compact, hydraulically actuated diaphragm metering pump. The pump is available in simplex or duplex configuration, with independent capacity adjustment for each pumphead.

All drive parts are fully enclosed and operate in an oil bath which minimizes friction and wear while providing protection from harsh environments. A self-compensating hydraulic system assures diaphragm position and eliminates the need for troublesome vacuum breakers and refill valve.

The easy to read micrometer knob enables convenient capacity adjustment between 0-100% while the pump is operating or stopped. In addition to manual control, the pump can be supplied with optional automatic capacity control, making it possible for the pump to control the flow rate in proportion to various process signals. A simple, externally adjustable, internal hydraulic relief valve protects the pump and the process from pump induced overpressure situations.

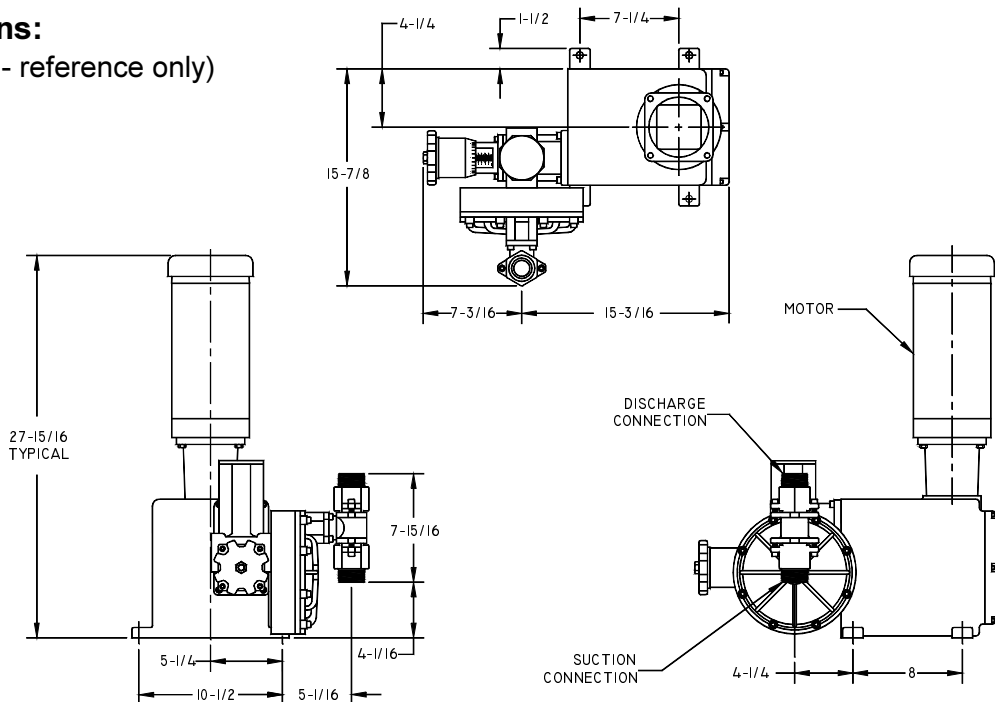
NIKKISO HYDROFLO®

Series 3000 Hydraulically Actuated Diaphragm

Custom Features	Accessories
Alternate Diaphragm Materials	NIKKISO HydroChek™ Calibration Columns
Automatic Capacity Control	NIKKISO HydroDamp® Pulsation Dampeners
Double Diaphragm Liquid Ends	NIKKISO HydroDrive™ Variable Speed Drives
Diaphragm Status Indication	NIKKISO HydroGarD™ Back Pressure Valves
Liquid End Jacketing	NIKKISO HydroGarD™ Safety Relief Valves
Low NPSHa Liquid Ends	NIKKISO Hydroinjex™ Injection Assemblies
Remote Liquid Ends	NIKKISO HydroMix™ Agitators
Tubular Diaphragm Liquid Ends	NIKKISO HydroTank® Liquid Handling Package

Component	Materials of Construction					
	316 SS	Alloy 20	Hastelloy® C	PVC	PVDF	
Pumphead	316 SS	Alloy 20	Hastelloy® C	PVC	PVDF	
Check Valve Body	316 SS	Alloy 20	Hastelloy® C	PVC	PVDF	
Check Valve Seat	316 SS	Alloy 20	Hastelloy® C	PVC	PVDF	
Check Valve Element	316 SS	Alloy 20	Hastelloy® C	Ceramic	Ceramic	
Diaphragm	PTFE	PTFE	PTFE	PTFE	PTFE	
Contour Plate	316 SS	Alloy 20	Hastelloy® C	PVC	PVDF	
O-Rings	FKM	FKM	FKM	FKM	FKM	
Oil Reservoir Cap	Aluminum	Aluminum	Aluminum	Aluminum	Aluminum	
Drive Housing	Aluminum	Aluminum	Aluminum	Aluminum	Aluminum	

Dimensions:
(inches - reference only)



NIKKISO
Pumps America, Inc.

NIKKISO Pumps America, Inc.
6100 Easton Road • Plumsteadville, PA 18949
Phone (215) 766-7867 • Fax (215) 766-8290
email: sales@nikkisopumpsamerica.com
<http://www.nikkisopumpsamerica.com>

© 2002 NPA

Printed in U.S.A. 05/02

Bulletin 23300.20